



| Ball Bearing Slide Series

SOFT-CLOSING

DD3501

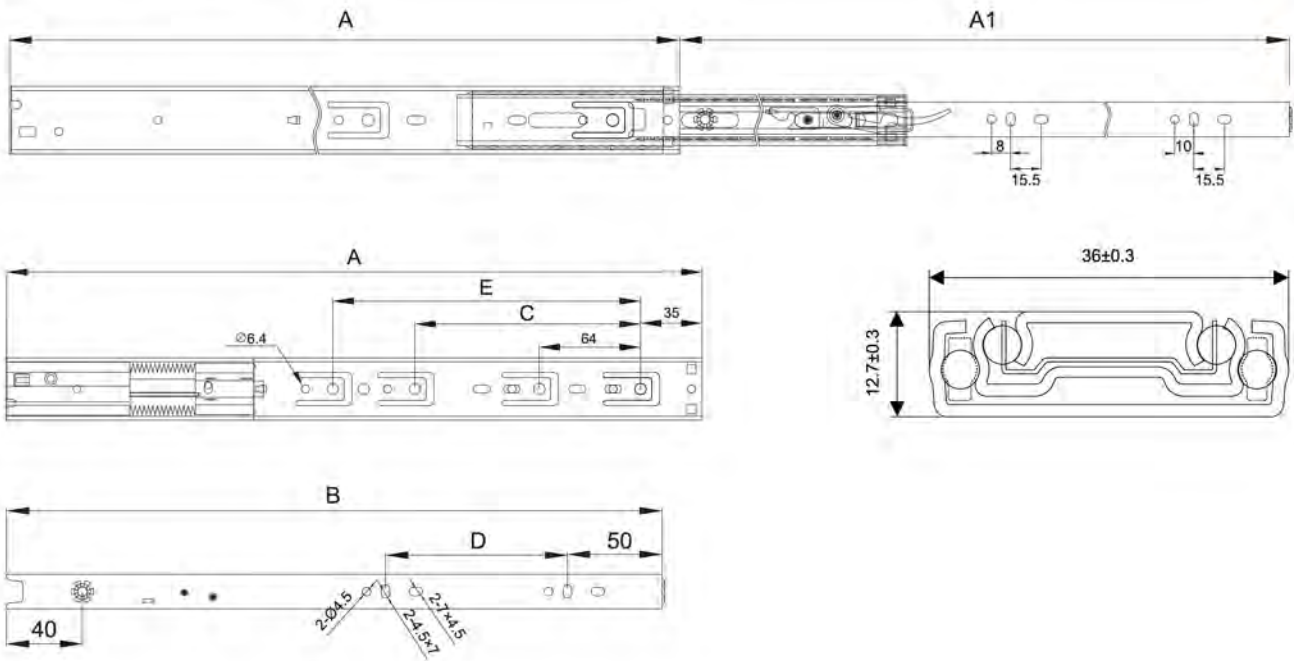
3-Fold soft-closing ball bearing slides

Technical specifications:



- Width: 35mm
- Size: 14"-24"
- Finish: zinc-plated, black, color-zinc
- Material: cold-rolled steel
- Thickness Range: 1.2 x 1.0 x 1.2mm
- Soft-closing full extension ball bearing slide. Chipboard screw on.
- Smooth motion on steel balls. Increased Soft-closing mechanism.
- Length range from 350 to 600mm.

Installation indication



Thickness Range: 1.2 x 1.0 x 1.2mm

Unit: mm

Model	Color	A	A1	B	C	D	E	Item No
DD3501-14"	Zinc-plated	350	320	346	128	96	/	532.341.013
	Black							532.342.013
DD3501-16"	Zinc-plated	400	380	396	192	160	/	532.341.014
	Black							532.342.014
DD3501-18"	Zinc-plated	450	450	446	224	192	/	532.341.015
	Black							532.342.015
DD3501-20"	Zinc-plated	500	500	496	192	224	288	532.341.016
	Black							532.342.016
DD3501-22"	Zinc-plated	550	550	546	224	256	320	532.341.017
	Black							532.342.017
DD3501-24"	Zinc-plated	600	600	596	224	256	352	532.341.018
	Black							532.342.018

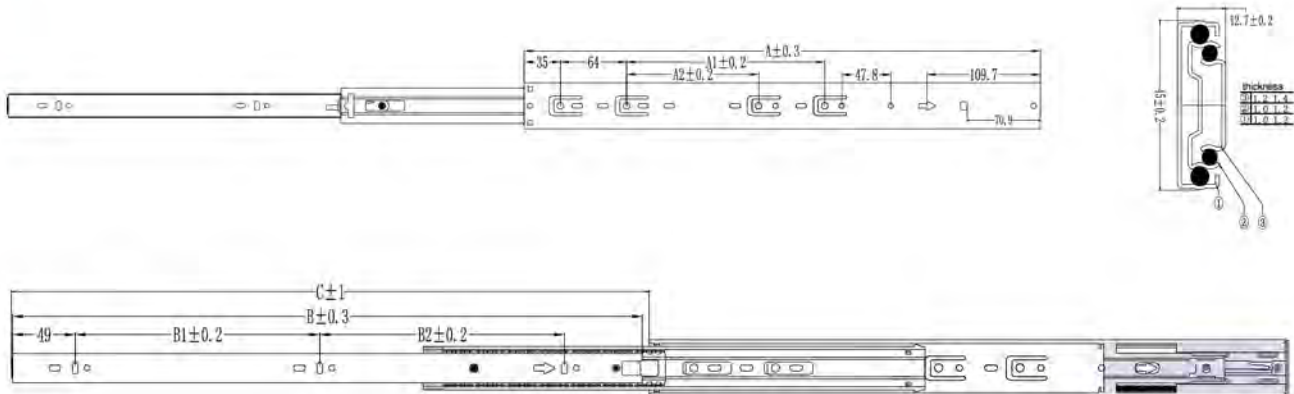
3-Fold soft-closing ball bearing slides

Technical specifications:

- Width: 45mm
- Size: 10"-22"
- Finish: zinc-plated, black, color-zinc
- Material: cold-rolled steel
- Thickness Range: 1.0 x 1.0 x 1.2mm, 1.2 x 1.2 x 1.4mm
- Soft-closing full extension ball bearing slide. Chipboard screw on.
- Smooth motion on steel balls. Increased Soft-closing mechanism.
- Length range from 250 to 550mm.



Installation indication



Thickness Rang: 1.0 x 1.0x 1.2mm

Unit: mm

Model	Color	A	B	C	D	E	F	Item No.
DD4506-10"	Zinc-plated	160	/	213	250	/	/	532.381.111
	Blacke							532.382.111
DD4506-12"	Zinc-plated	96	112	261	300	/	/	532.381.112
	Blacke							532.382.112
DD4506-14"	Zinc-plated	96	180	345	350	128	/	532.381.113
	Blacke							532.382.113
DD4506-16"	Zinc-plated	128	160	395	400	160	/	532.381.114
	Blacke							532.382.114
DD4506-18"	Zinc-plated	160	192	445	450	160	64	532.381.115
	Blacke							532.382.115
DD4506-20"	Zinc-plated	192	192	495	500	160	96	532.381.116
	Blacke							532.382.116
DD4506-22"	Zinc-plated	224	224	545	550	160	128	532.381.117
	Blacke							532.382.117

Please contact us for more sizes options

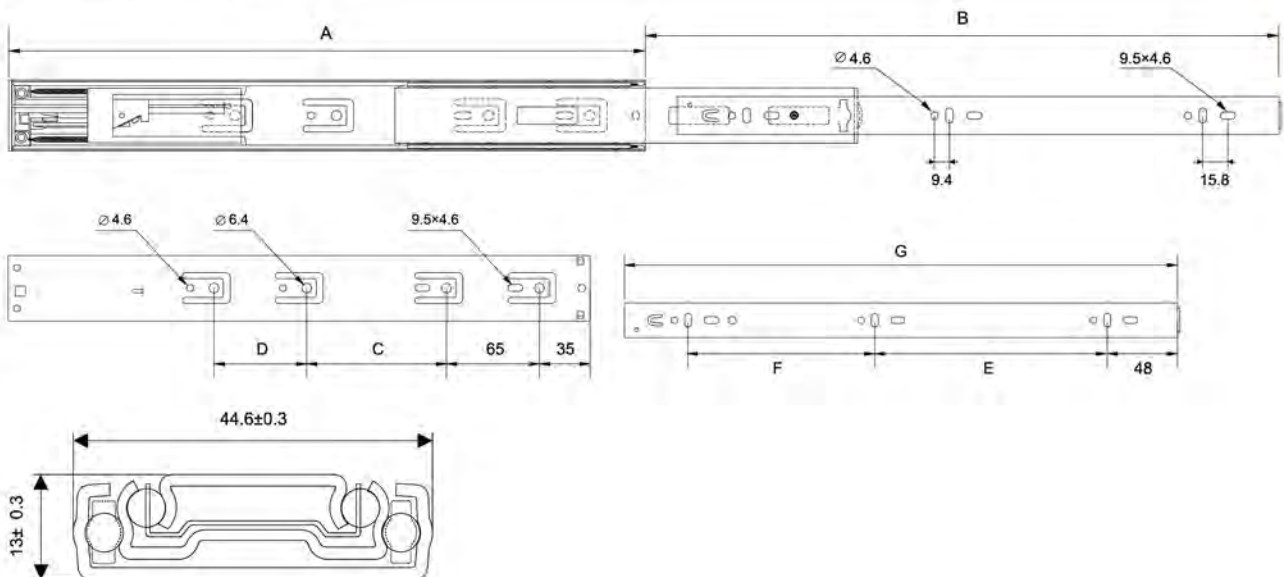
3-Fold soft-closing ball bearing slides



Technical specifications:

- Width: 45mm
- Size: 10"-24"
- Finish: zinc-plated, black, color-zinc
- Material: cold-rolled steel
- Thickness Range: 1.0 x 1.0 x 1.2mm, 1.2 x 1.2 x 1.4mm
- Soft-closing full extension ball bearing slide. Chipboard screw on.
- Smooth motion on steel balls. Increased Soft-closing mechanism.
- Length range from 250 to 600mm.

Installation indication



Thickness Range: 1.0 x 1.0 x 1.2mm

Unit: mm

Model	Color	A	B	C	D	E	F	G	Item No.
DD4508-10"	Zinc-plated	250	220	/	/	/	/	230	532.381.211
	Black								532.382.211
DD4508-12"	Zinc-plated	300	300	64	/	96	/	280	532.381.212
	Black								532.382.212
DD4508-14"	Zinc-plated	350	350	96	/	128	/	330	532.381.213
	Black								532.382.213
DD4508-16"	Zinc-plated	400	400	96	64	160	128	380	532.381.214
	Black								532.382.214
DD4508-18"	Zinc-plated	450	450	160	64	160	160	430	532.381.215
	Black								532.382.215
DD4508-20"	Zinc-plated	500	500	160	64	160	192	480	532.381.216
	Black								532.382.216
DD4508-22"	Zinc-plated	550	550	160	128	192	224	530	532.381.217
	Black								532.382.217
DD4508-24"	Zinc-plated	600	600	160	128	192	224	580	532.381.218
	Black								532.382.218

www.meaton-group.com

Please contact us for more sizes options

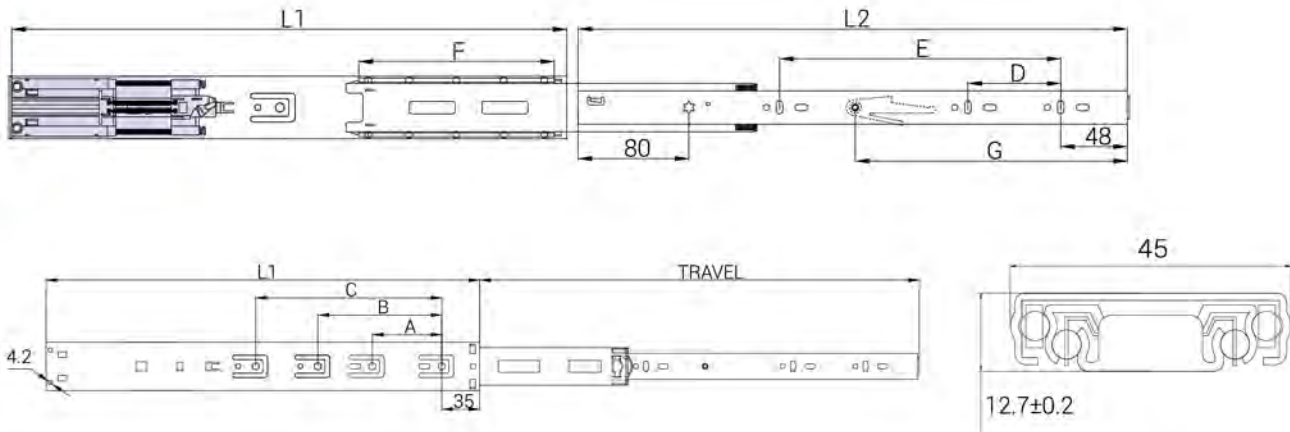
Full extension / Soft-close / Width 45mm(9/5")

Technical specifications:

- Width: 45mm
- Size: 14"-24"
- Finish: zinc-plated, black
- Material: cold-rolled steel
- Thickness Range: 1.0 x 1.0 x 1.2mm, 1.2 x 1.2 x 1.4mm
- Soft-closing full extension ball bearing slide. Chipboard screw on.
- Smooth motion on steel balls. Increased Soft-closing mechanism.
- Length range from 350 to 600mm.



Installation indication



Thickness Rang: 1.1x 1.1 x 1.4mm

Unit: mm

Model	Color	T	B	C	F	G	Item No.
DD4509-14"	Zinc-plated	346	64	64	37	172.5	532.381.012
	Blacke						532.382.012
DD4509-16"	Zinc-plated	396	64	64	37	197.5	532.381.013
	Blacke						532.382.013
DD4509-18"	Zinc-plated	446	64	64	37	222.5	532.381.014
	Blacke						532.382.014
DD4509-20"	Zinc-plated	496	64	64	37	247.5	532.381.015
	Blacke						532.382.015
DD4509-22"	Zinc-plated	546	64	64	37	272.5	532.381.016
	Blacke						532.382.016
DD4509-24"	Zinc-plated	596	64	64	37	297.5	532.381.017
	Blacke						532.382.017

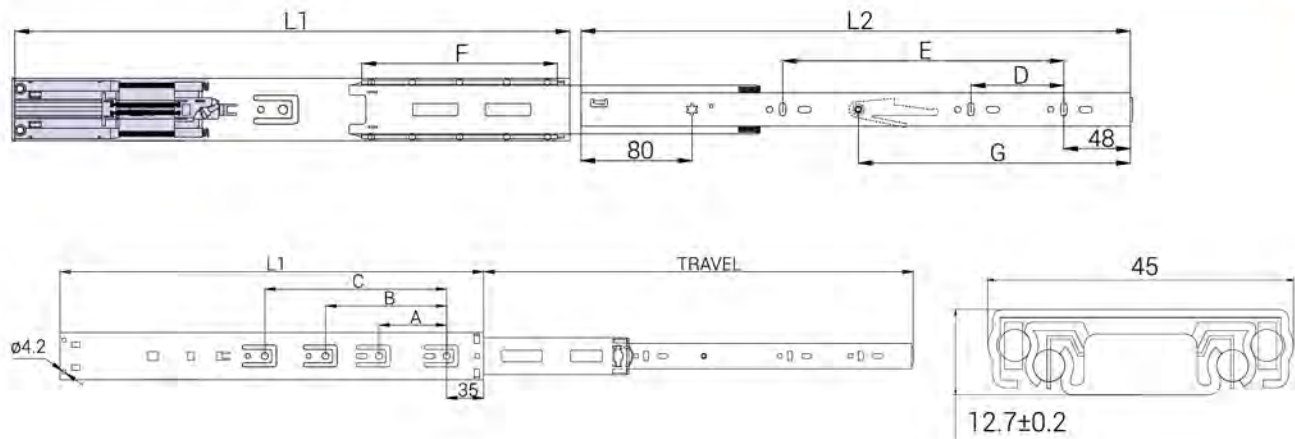
Please contact us for more sizes options



Technical specifications:

- Width: 45mm
- Size: 14"-24"
- Finish: zinc-plated, black
- Material: cold-rolled steel
- Thickness Range: 1.0 x 1.0 x 1.2mm, 1.2 x 1.2 x 1.4mm
- Soft-closing full extension ball bearing slide. Chipboard screw on.
- Smooth motion on steel balls. Increased Soft-closing mechanism.
- Length range from 350 to 600mm.

Installation indication



Thickness Range: 1.0 x 1.0 x 1.2mm

Unit: mm

Model	Color	L1	L2	TRAVEL	A	B	C	D	E	F	G	Item No.
DA4501-14"	Zinc-plated Blacke	350	346	310	64	128	/	96	/	114	234	531.381.013 531.382.013
DA4501-16"	Zinc-plated Blacke	400	396	383	64	180	/	160	/	141	284	531.381.014 531.382.014
DA4501-18"	Zinc-plated Blacke	450	446	450	64	224	/	192	/	162	322.5	531.381.015 531.382.015
DA4501-20"	Zinc-plated Blacke	500	496	500	64	192	256	160	/	175	334.5	531.381.016 531.382.016
DA4501-22"	Zinc-plated Blacke	550	546	550	64	224	320	192	352	190	349.5	531.381.017 531.382.017
DA4501-24"	Zinc-plated Blacke	600	596	600	64	256	352	192	384	212	371.5	531.381.018 531.382.018

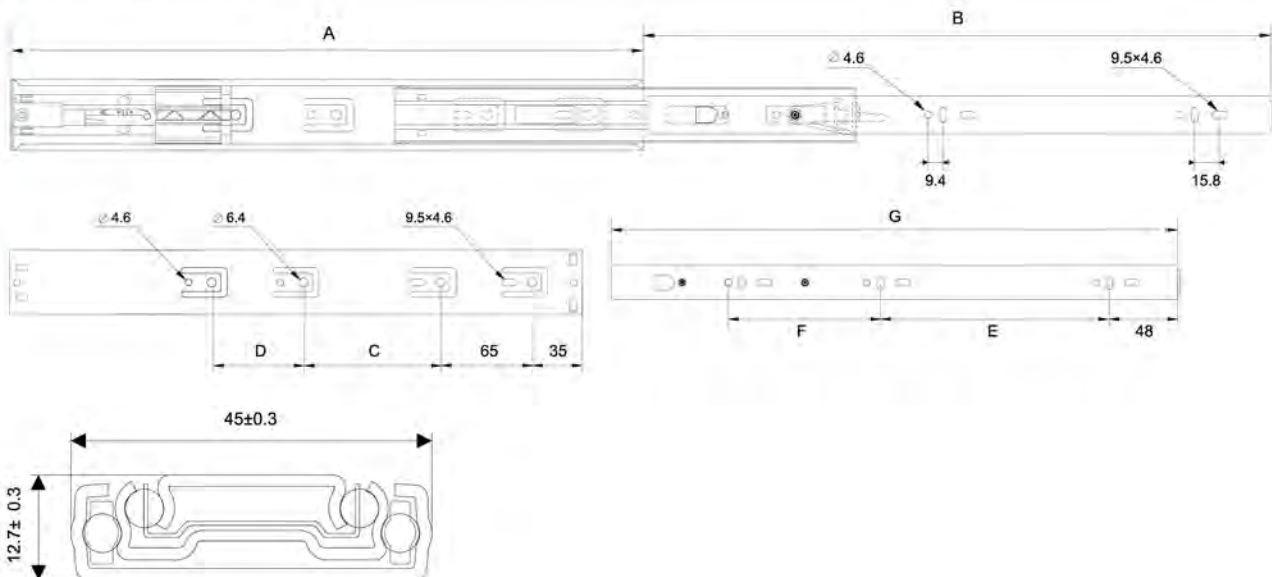
3-Fold push-open ball bearing slides

Technical specifications:

- Width: 45mm
- Size: 10"-24"
- Finish: zinc-plated, black, color-zinc
- Material: cold-rolled steel
- Thickness Range: 1.0 x 1.0 x 1.2mm, 1.2 x 1.2 x 1.4mm
- Push-open full extension ball bearing slide. Chipboard screw on.
- Smooth motion on steel balls. Increased Push-open mechanism.
- Length range from 250 to 600mm.



Installation indication



Thickness Range: 1.0 x 1.0 x 1.2mm

Unit: mm

Model	Color	A	B	C	D	E	F	G	Item No.
DF4503-10"	Zinc-plated Black	250	204	/	/	/	134.5	246	533.381.011 533.382.011
DF4503-12"	Zinc-plated Black	300	285	64	/	96	89	296	533.381.012 533.382.012
DF4503-14"	Zinc-plated Black	350	350	96	/	128	108.5	346	533.381.013 533.382.013
DF4503-16"	Zinc-plated Black	400	400	96	64	160	106	396	533.381.014 533.382.014
DF4503-18"	Zinc-plated Black	450	450	160	64	160	169.4	446	533.381.015 533.382.015
DF4503-20"	Zinc-plated Black	500	500	160	64	160	201.4	496	533.381.016 533.382.016
DF4503-22"	Zinc-plated Black	550	550	160	128	192	233.4	546	533.381.017 533.382.017
DF4503-24"	Zinc-plated Black	600	600	160	128	224	233.4	596	533.381.018 533.382.018

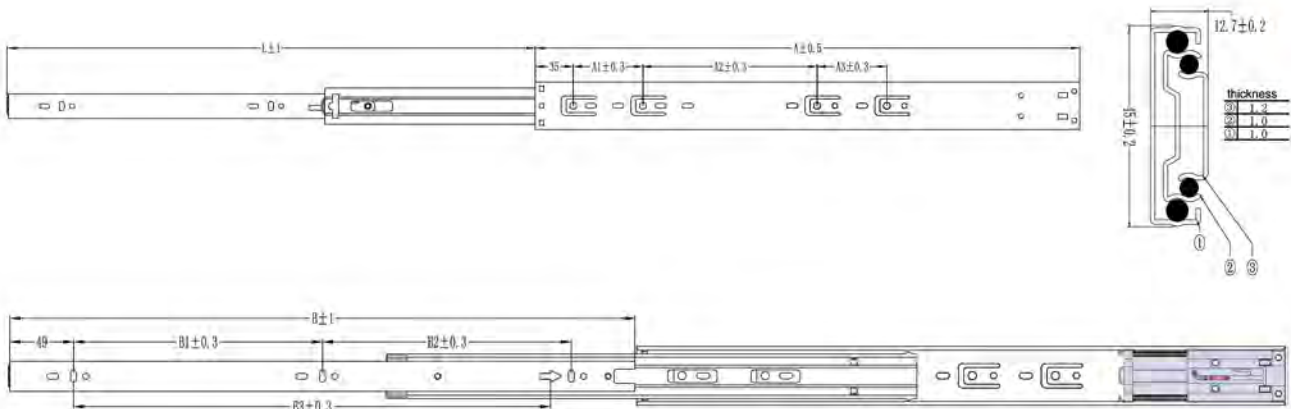
Please contact us for more sizes options

Technical specifications:

- Width: 45mm
- Size: 10"-24"
- Finish: zinc-plated, black
- Material: cold-rolled steel
- Thickness Range: 1.0 x 1.0 x 1.2mm, 1.2 x 1.2 x 1.4mm
- Push-open full extension ball bearing slide. Chipboard screw on.
- Smooth motion on steel balls. Increased Push-open mechanism.
- Length range from 250 to 600mm.



Installation indication



Thickness Range: 1.0 x 1.0 x 1.2mm

Unit: mm

Model	Color	A	A1	A2	A3	B	B1	B2	L	Item No.
DF4504-10"	Zinc-plated Blacke	250	/	/	/	232	/	/	220	533.381.111 533.382.111
DF4504-12"	Zinc-plated Blacke	300	64	/	/	282	80	112	285	533.381.112 533.382.112
DF4504-14"	Zinc-plated Blacke	350	64	80	/	332	96	128	335	533.381.113 533.382.113
DF4504-16"	Zinc-plated Blacke	400	64	128	/	382	128	144	385	533.381.114 533.382.114
DF4504-18"	Zinc-plated Blacke	450	64	160	/	432	160	160	435	533.381.115 533.382.115
DF4504-20"	Zinc-plated Blacke	500	64	160	64	482	192	192	485	533.381.116 533.382.116
DF4504-22"	Zinc-plated Blacke	550	64	192	64	532	192	224	535	533.381.117 533.382.117
DF4504-24"	Zinc-plated Blacke	600	64	256	64	582	224	256	585	533.381.118 533.382.118

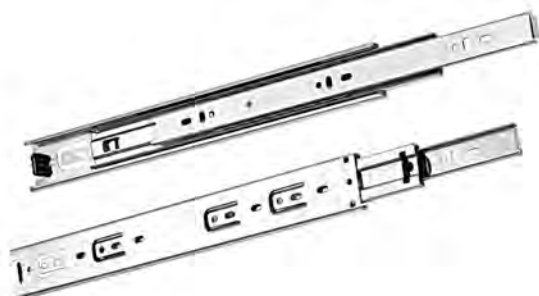
www.meaton-group.com

Please contact us for more sizes options

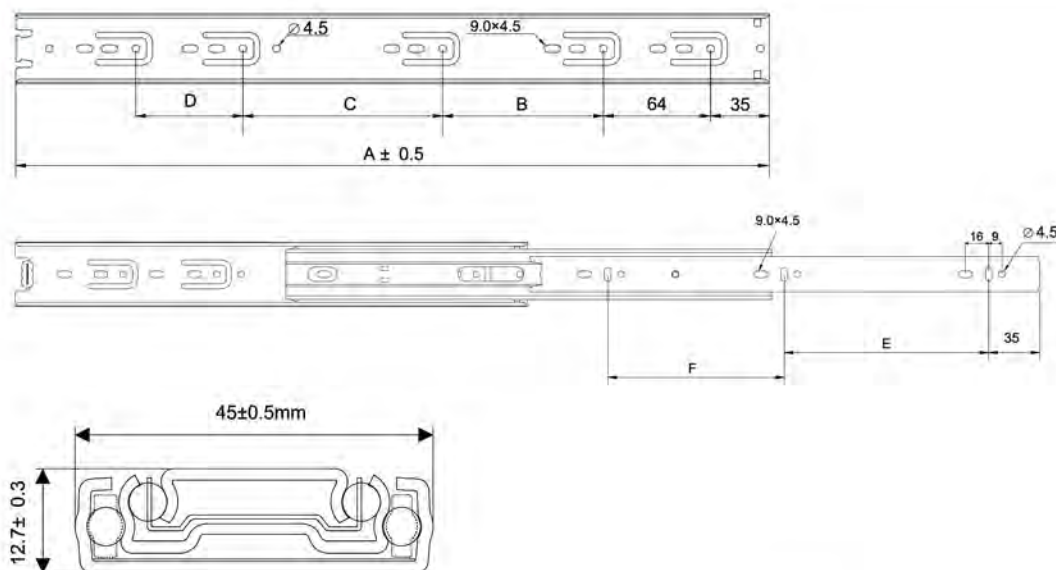
3-Fold ball bearing slides

Technical specifications:

- Width: 45mm
- Size: 10"-24"
- Finish: zinc-plated, black, color-zinc
- Material: cold-rolled steel
- Thickness Range: 1.0 x 1.0 x 1.2mm, 1.2 x 1.2 x 1.4mm
- General full extension ball bearing slide. Chipboard screw on.
- Smooth motion on steel balls. Increased general mechanism.
- Length range from 250 to 600mm.



Installation indication



Thickness Range: 1.0 x 1.0 x 1.0mm

Unit: mm

Model	Color	A	B	C	D	E	F	Item No.
DB4501-10"	Zinc-plated	250	96	/	/	64	128	531.381.111
	Black							531.382.111
DB4501-12"	Zinc-plated	300	96	/	/	96	128	531.381.112
	Black							531.382.112
DB4501-14"	Zinc-plated	350	96	64	/	128	128	531.381.113
	Black							531.382.113
DB4501-16"	Zinc-plated	400	96	96	/	160	160	531.381.114
	Black							531.382.114
DB4501-18"	Zinc-plated	450	96	96	64	160	192	531.381.115
	Black							531.382.115
DB4501-20"	Zinc-plated	500	96	160	64	192	224	531.381.116
	Black							531.382.116
DB4501-22"	Zinc-plated	550	96	192	64	224	224	531.381.117
	Black							531.382.117
DB4501-24"	Zinc-plated	600	96	224	64	256	256	531.381.118
	Black							531.382.118

Please contact us for more sizes options

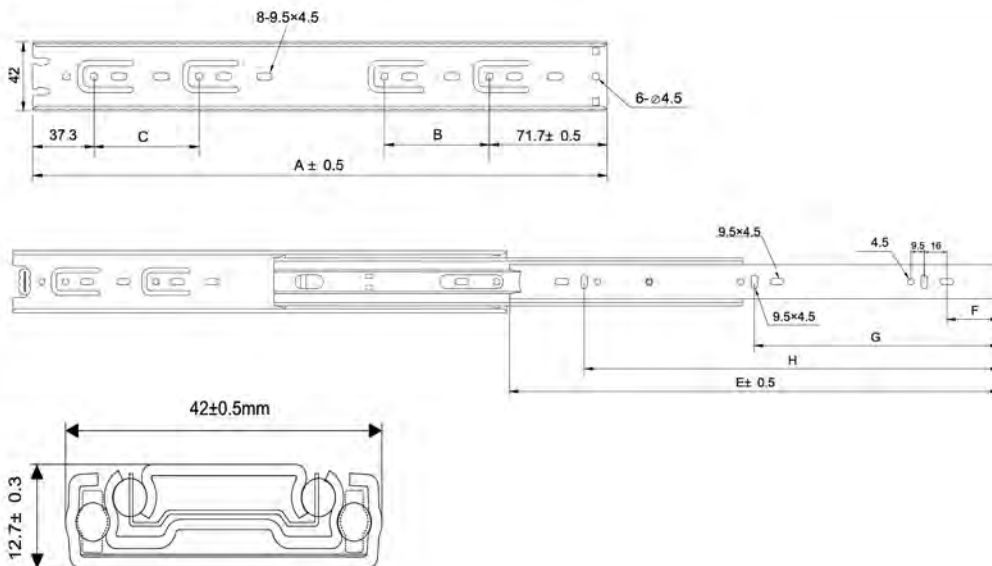
3-Fold ball bearing slides

Technical specifications:

- Width: 43mm
- Size: 10"-24"
- Finish: zinc-plated, black, color-zinc
- Material: cold-rolled steel
- Thickness Range: 0.8 x 0.8 x 0.8mm, 0.8 x 0.8 x 0.9mm
- General full extension ball bearing slide. Chipboard screw on.
- Smooth motion on steel balls. Increased general mechanism.
- Length range from 250 to 600mm.



Installation indication



Thickness Range: 0.8 x 0.8 x 0.9mm

Unit: mm

Model	Color	A	B	C	E	F	G	H	Item No.
DB4201-10"	Zinc-plated	250	/	64	274	24	123.5	207	531.361.011
	Blacke								531.362.011
DB4201-12"	Zinc-plated	300	/	64	297	37	148.5	244	531.361.012
	Blacke								531.362.012
DB4201-14"	Zinc-plated	350	64	64	347	37	173.5	294	531.361.013
	Blacke								531.362.013
DB4201-16"	Zinc-plated	400	64	64	397	37	198.5	344	531.361.014
	Blacke								531.362.014
DB4201-18"	Zinc-plated	450	64	64	447	37	223.5	394	531.361.015
	Blacke								531.362.015
DB4201-20"	Zinc-plated	500	64	64	497	37	248.5	444	531.361.016
	Blacke								531.362.016
DB4201-22"	Zinc-plated	550	64	64	547	37	273.5	494	531.361.017
	Blacke								531.362.017
DB4201-24"	Zinc-plated	600	64	64	597	37	298.5	544	531.361.018
	Blacke								531.362.018

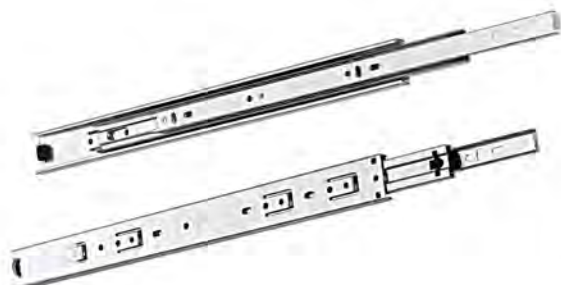
www.meaton-group.com

Please contact us for more sizes options

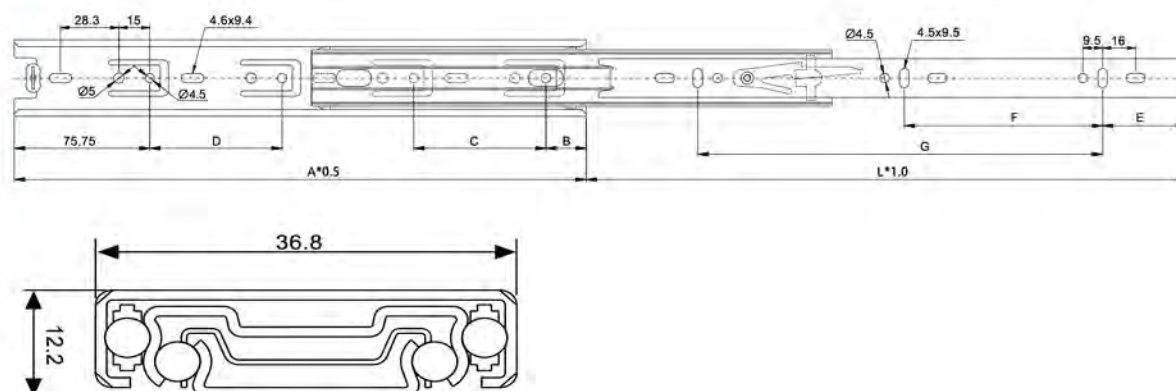
3-Fold ball bearing slides

Technical specifications:

- Width: 38mm
- Size: 10"-24"
- Finish: zinc-plated, black, color-zinc
- Material: cold-rolled steel
- Thickness Range: 0.8 x 0.8 x 0.8mm, 0.8 x 0.8 x 0.9mm
- General full extension ball bearing slide. Chipboard screw on.
- Smooth motion on steel balls. Increased general mechanism.
- Length range from 250 to 600mm.



Installation indication



Thickness Range: 0.8 x 0.8 x 0.9mm

Unit: mm

Model	Color	A	B	C	D	E	F	G	H	Item No.
DB3801-10"	Zinc-plated Black	250	/	/	138	161.5	69.5	139	244	531.351.011 531.352.011
DB3801-12"	Zinc-plated Black	300	64	129	193	237	94.5	180	290	531.351.012 531.352.012
DB3801-14"	Zinc-plated Black	350	64	174	238	281.5	119.5	239	344	531.351.013 531.352.013
DB3801-16"	Zinc-plated Black	400	64	224	288	331.5	144.5	289	394	531.351.014 531.352.014
DB3801-18"	Zinc-plated Black	450	64	274	388	381.5	169.5	339	444	531.351.015 531.352.015
DB3801-20"	Zinc-plated Black	500	64	324	388	431.5	194.5	389	495	531.351.016 531.352.016
DB3801-22"	Zinc-plated Black	550	64	374	438	481.5	219.5	439	544	531.351.017 531.352.017
DB3801-24"	Zinc-plated Black	600	64	424	488	531.5	244.5	489	595	531.351.018 531.352.018

Please contact us for more sizes options

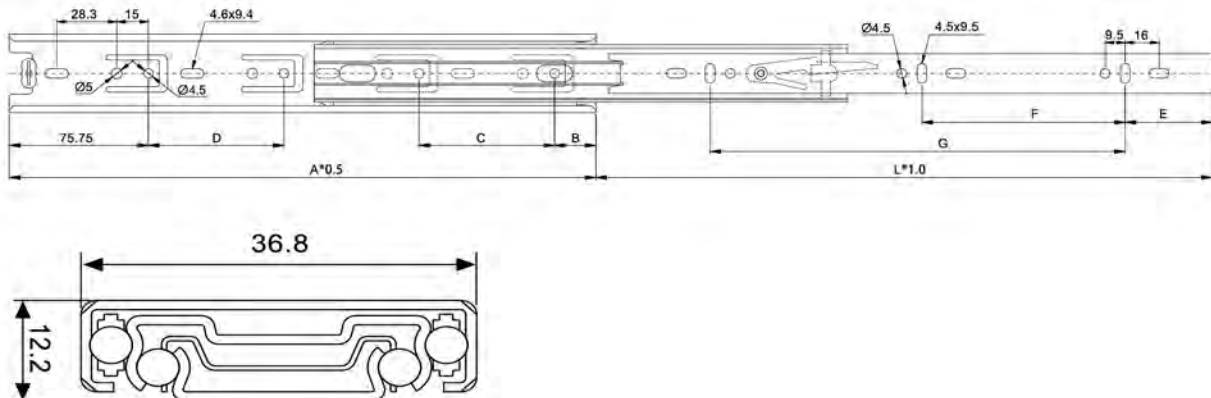
3-Fold stainless ball bearing slides

Technical specifications:

- Width: 38mm
- Size: 10"-24"
- Finish: zinc-plated, black, color-zinc
- Material: cold-rolled steel
- Thickness Range: 1.0 x 1.0 x 1.0mm
- Stainless full extension ball bearing slide. Chipboard screw on.
- Smooth motion on steel balls. Increased stainless mechanism.
- Length range from 250 to 600mm.



Installation indication



Thickness Range: 1.0 x 1.0 x 1.0mm

Unit: mm

Model	Color	A	B	C	D	E	F	G	H	Item No.
DB3802-10"	Zinc-plated	250	36	64	64	44	78.5	157	245	531.351.111
	Blacke									531.352.111
DB3802-12"	Zinc-plated	300	31	64	64	53	94.5	189	290	531.351.112
	Blacke									531.352.112
DB3802-14"	Zinc-plated	350	36	64	64	53	119.5	239	345	531.351.113
	Blacke									531.352.113
DB3802-16"	Zinc-plated	400	36	64	64	53	144.5	289	395	531.351.114
	Blacke									531.352.114
DB3802-18"	Zinc-plated	450	36	64	64	53	169.5	339	445	531.351.115
	Blacke									531.352.115
DB3802-20"	Zinc-plated	500	36	64	64	53	194.5	389	495	531.351.116
	Blacke									531.352.116
DB3802-22"	Zinc-plated	550	36	64	64	53	219.5	439	545	531.351.117
	Blacke									531.352.117
DB3802-24"	Zinc-plated	600	36	64	64	53	244.5	489	595	531.351.118
	Blacke									531.352.118

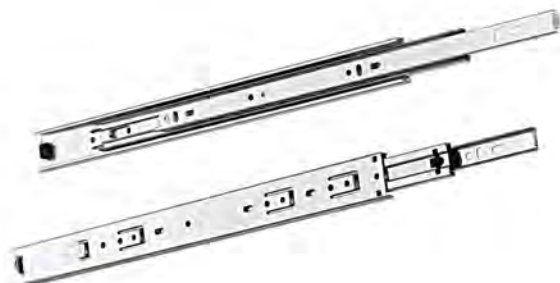
www.meaton-group.com

Please contact us for more sizes options

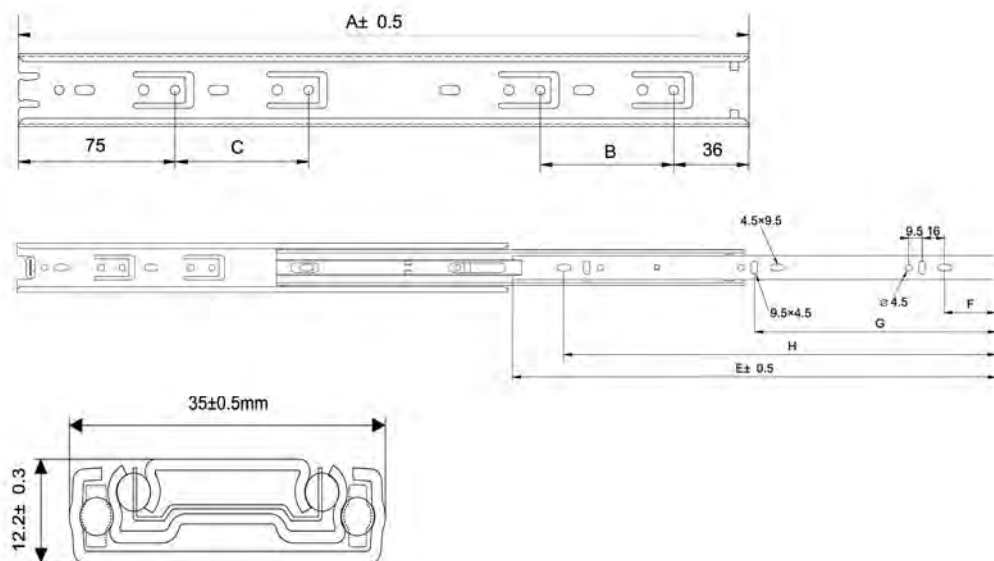
3-Fold ball bearing slides

Technical specifications:

- Width: 35mm
- Size: 10"-24"
- Finish: zinc-plated, black, color-zinc
- Material: cold-rolled steel
- Thickness Range: 0.8 x 0.8 x 0.8mm, 0.8 x 0.8 x 0.9mm
- General full extension ball bearing slide. Chipboard screw on.
- Smooth motion on steel balls. Increased general mechanism.
- Length range from 250 to 600mm.



Installation indication



Thickness Range: 0.8 x 0.8 x 0.9mm

Unit: mm

Model	Color	A	B	C	E	F	G	H	Item No.
DB3501-10"	Zinc-plated	250	64	/ /	246	28	122.5	217	531.341.011
	Blacke								531.342.011
DB3501-12"	Zinc-plated	300	64	64	296	37	147.5	258	531.341.012
	Blacke								531.342.012
DB3501-14"	Zinc-plated	350	64	64	346	37	172.5	308	531.341.013
	Blacke								531.342.013
DB3501-16"	Zinc-plated	400	64	64	396	37	197.5	358	531.341.014
	Blacke								531.342.014
DB3501-18"	Zinc-plated	450	64	64	446	37	222.5	408	531.341.015
	Blacke								531.342.015
DB3501-20"	Zinc-plated	500	64	64	496	37	247.5	458	531.341.016
	Blacke								531.342.016
DB3501-22"	Zinc-plated	550	64	64	546	37	272.5	508	531.341.017
	Blacke								531.342.017
DB3501-24"	Zinc-plated	600	64	64	596	37	297.5	558	531.341.018
	Blacke								531.342.018

Please contact us for more sizes options

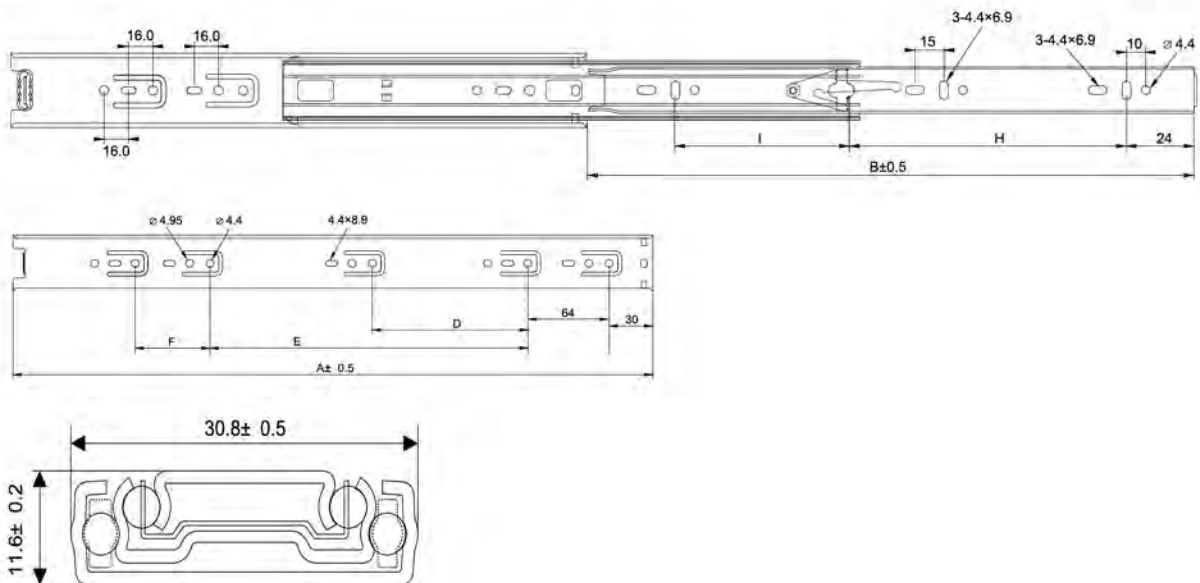
3-Fold ball bearing slides

Technical specifications:

- Width: 38mm
- Size: 10"-20"
- Finish: zinc-plated, black, color-zinc
- Material: cold-rolled steel
- Thickness Range: 0.7 x 0.7 x 0.8mm
- General full extension ball bearing slide. Chipboard screw on.
- Smooth motion on steel balls. Increased general mechanism.
- Length range from 250 to 500mm.



Installation indication



Thickness Range: 0.7 x 0.7 x 0.8mm

Unit: mm

Model	Color	A	B	D	E	F	H	I	J	Item No.
DB3001-10"	Zinc-plated	250	250	/	96	/	96	96	53.5	531.321.011
	Blacke									531.322.011
DB3001-12"	Zinc-plated	300	298	/	64	64	96	128	80	531.321.012
	Blacke									531.322.012
DB3001-14"	Zinc-plated	350	349	/	128	64	128	160	105	531.321.013
	Blacke									531.322.013
DB3001-16"	Zinc-plated	400	400	/	160	64	160	160	127.5	531.321.014
	Blacke									531.322.014
DB3001-18"	Zinc-plated	450	449	96	224	64	160	224	152.7	531.321.015
	Blacke									531.322.015
DB3001-20"	Zinc-plated	500	499	128	288	64	192	224	177	531.321.016
	Blacke									531.322.016

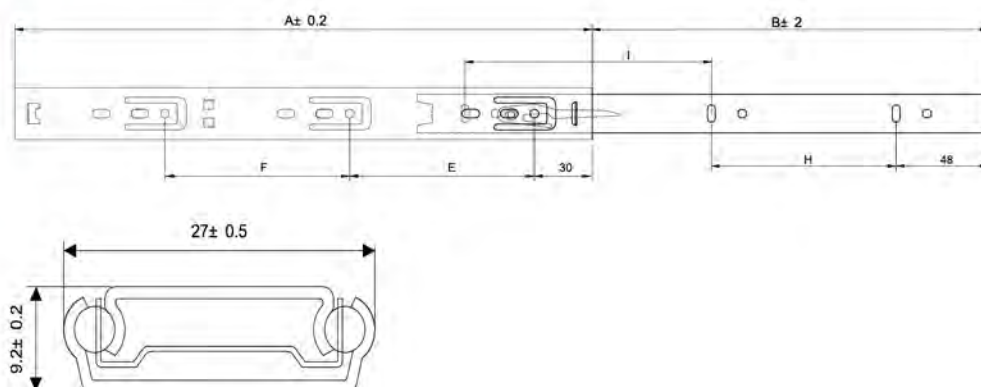
2-Fold ball bearing slides

Technical specifications:

- Width: 27mm
- Size: 10"-22"
- Finish: zinc-plated, black, color-zinc
- Material: cold-rolled steel
- Thickness Range: 0.8 x 0.8mm, 0.9 x 0.9mm
1.0 x 1.0mm
- General full extension ball bearing slide. Chipboard screw on.
- Smooth motion on steel balls. Increased general mechanism.
- Length range from 250 to 550mm.



Installation indication



Thickness Range: 0.8 x 0.8mm

Unit: mm

Model	Color	A	B	E	F	H	I	Item No.
DB2701-10"	Zinc-plated	250	162	160	/	96	80	531.221.011
	Blacke							531.222.011
DB2701-12"	Zinc-plated	300	210	96	96	96	128	531.221.012
	Blacke							531.222.012
DB2701-14"	Zinc-plated	350	236	128	128	128	128	531.221.013
	Blacke							531.222.013
DB2701-16"	Zinc-plated	400	260	128	160	160	160	531.221.014
	Blacke							531.222.014
DB2701-18"	Zinc-plated	450	285	192	160	160	192	531.221.015
	Blacke							531.222.015
DB2701-20"	Zinc-plated	500	310	192	192	192	224	531.221.016
	Blacke							531.222.016
DB2701-22"	Zinc-plated	550	335	224	224	224	224	531.221.017
	Blacke							531.222.017

Please contact us for more sizes options

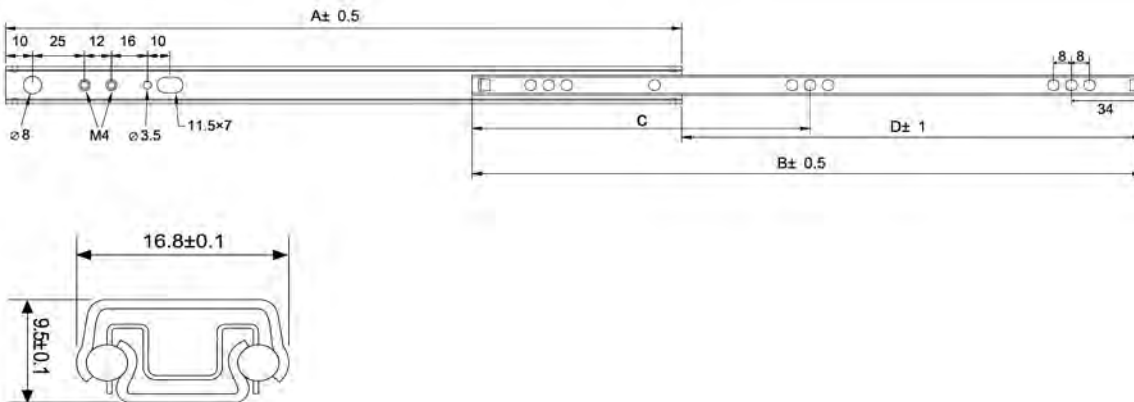
2-Fold ball bearing slides

Technical specifications:



- Width: 17mm
- Size: 10"-18"
- Finish: zinc-plated, black, color-zinc
- Material: cold-rolled steel
- Thickness Range: 0.8 x 0.8mm, 0.9 x 0.9mm
1.0 x 1.0mm
- General full extension ball bearing slide. Chipboard screw on.
- Smooth motion on steel balls. Increased general mechanism.
- Length range from 250 to 450mm.

Installation indication



Thickness Range: 0.8 x 0.8mm

Unit: mm

Model	Color	A	B	C	D	Item No
DB1701-10"	Zinc-plated	250	250	125	179	531.211.011
	Blacke					531.212.011
DB1701-12"	Zinc-plated	300	300	150	207	531.211.012
	Blacke					531.212.012
DB1701-14"	Zinc-plated	350	350	175	257	531.211.013
	Blacke					531.212.013
DB1701-16"	Zinc-plated	400	400	200	307	531.211.014
	Blacke					531.212.014
DB1701-18"	Zinc-plated	450	450	225	357	531.211.015
	Blacke					531.212.015

www.meaton-group.com

Please contact us for more sizes options

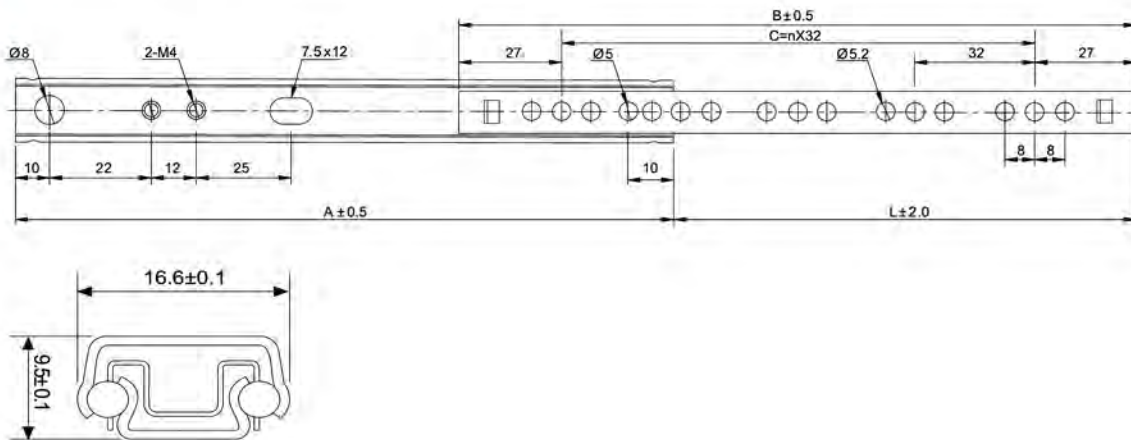
2-Fold ball bearing slides

Technical specifications:

- Width: 17mm
- Size: 182, 241, 246, 278, 310, 342, 374, 438
- Finish: zinc-plated, black, color-zinc
- Material: cold-rolled steel
- Thickness Range: 0.8 x 0.8mm, 0.9 x 0.9mm
1.0 x 1.0mm
- General full extension ball bearing slide. Chipboard screw on.
- Smooth motion on steel balls. Increased general mechanism.
- Length range from 182 to 438mm.



Installation indication



Thickness Range: 0.8 x 0.8mm

Unit: mm

Model	Color	A	B	N	C	L	Item No
DB1702-182	Zinc-plated Blacke	182	182	4	128	127	531.211.041 531.212.041
DB1702-214	Zinc-plated Blacke	214	214	5	160	139	531.211.042 531.212.042
DB1702-246	Zinc-plated Blacke	246	246	6	192	171	531.211.043 531.212.043
DB1702-278	Zinc-plated Blacke	278	278	7	224	203	531.211.044 531.212.044
DB1702-310	Zinc-plated Blacke	310	310	8	256	213	531.211.045 531.212.045
DB1702-342	Zinc-plated Blacke	342	342	9	288	245	531.211.046 531.212.046
DB1702-374	Zinc-plated Blacke	374	374	10	320	277	531.211.047 531.212.047
DB1702-438	Zinc-plated Blacke	438	438	12	384	341	531.211.048 531.212.048

Please contact us for more sizes options

KEYBOARD SLIDES DB3521

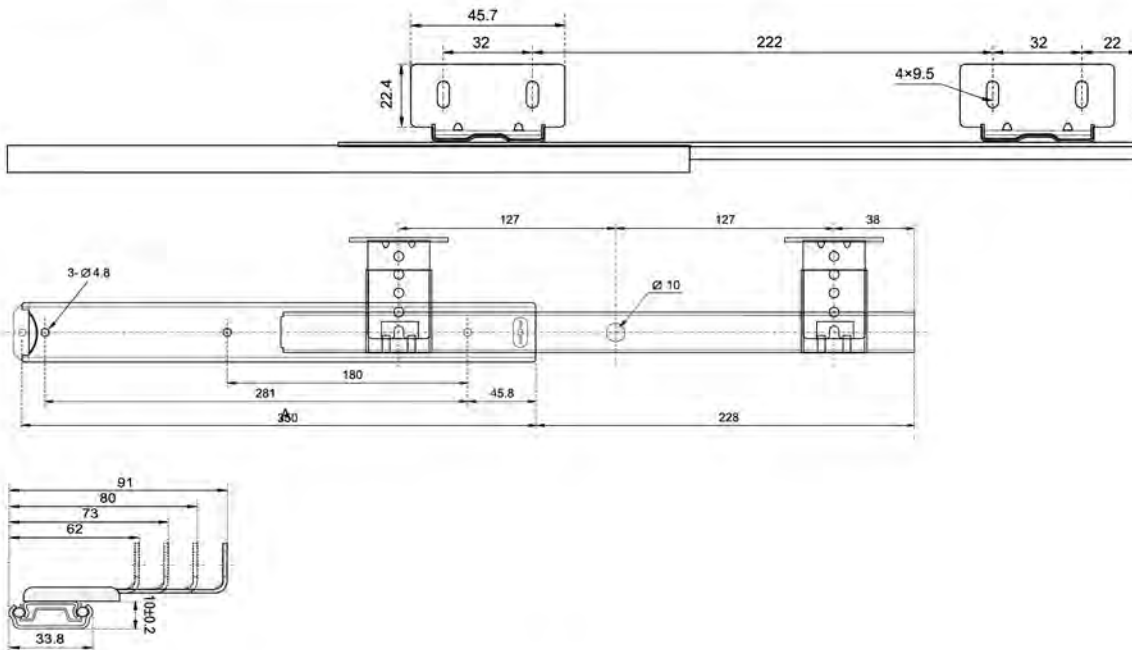
2-Fold keyboard ball bearing slides

Technical specifications:



- Width: 35mm
- Size: 14"
- Finish: zinc-plated, black, color-zinc
- Material: cold-rolled steel
- Thickness Range: 0.7 x 0.7mm, 0.9 x 0.9mm, 1.0 x 1.0mm
- Keyboard full extension ball bearing slide. Chipboard screw on.
- Smooth motion on steel balls. Increased keyboard mechanism.
- Length range from 350mm.

Installation indication



Unit: mm

Model	Color	Thickness Range	A	Item No.
DB3521-14"	Zinc-plated	0.7 x 0.7mm	350	531.211.143
	Blacke			531.212.143
DB3521-14"	Zinc-plated	0.9 x 0.9mm	350	531.211.153
	Blacke			531.212.153
DB3521-14"	Zinc-plated	1.0 x 1.0mm	350	531.211.163
	Blacke			531.212.163

KEYBOARD SLIDES DB2721

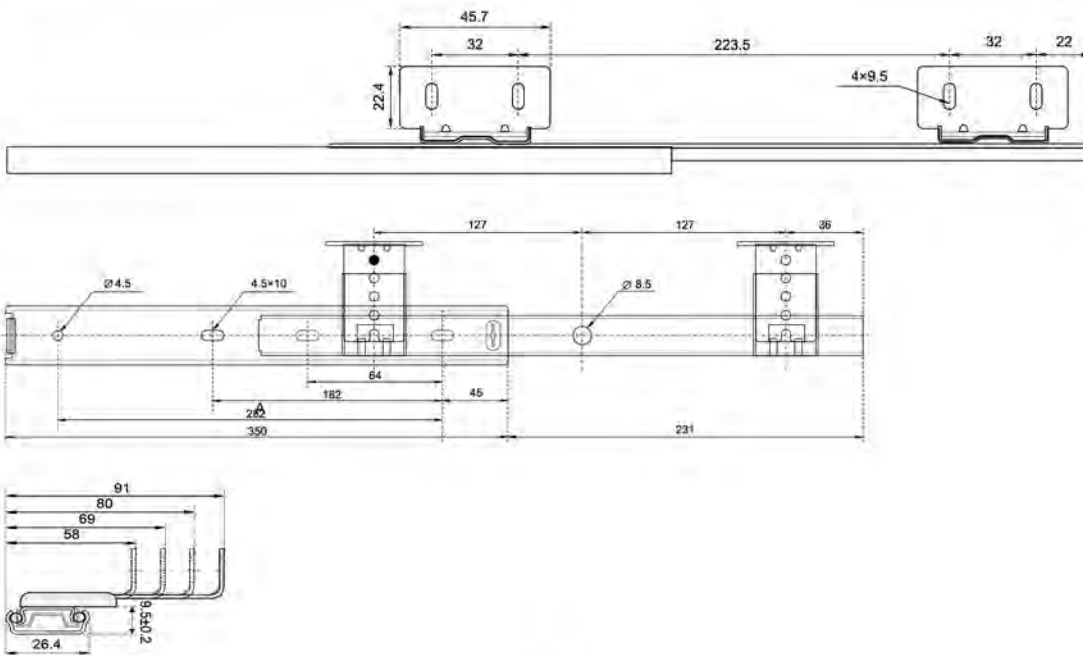
2-Fold keyboard ball bearing slides

Technical specifications:

- Width: 27mm
- Size: 14"
- Finish: zinc-plated, black, color-zinc
- Material: cold-rolled steel
- Thickness Range: 0.7 x 0.7mm
- Keyboard full extension ball bearing slide. Chipboard screw on.
- Smooth motion on steel balls. Increased keyboard mechanism.
- Length range from 350mm.



Installation indication



Unit: mm

Model	Color	Thickness-Range	A	Item No
DB2721-14"	Zinc-plated	0.7 x 0.7mm	350	531.241.013
	Black			531.242.013

KEYBOARD TRAY

KB0801/ KB0802/ KB0803

Keyboard tray

KB0801



Technical specifications:

- Slide: DB3521/ DB2721
- Color: White, Black, Brown

KB0802



Technical specifications:

- Slide: DB3521/ DB2721
- Color: White, Black, Brown

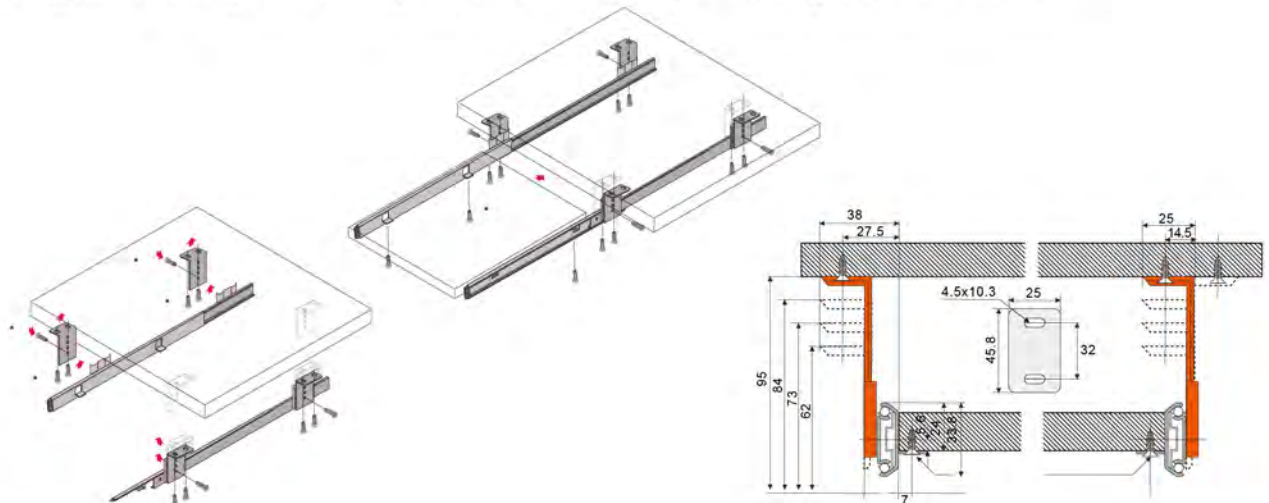
KB0803



Technical specifications:

- Slide: DB3521/ DB2721
- Color: White, Black, Brown

The diagram of fixing to the body and to the drawer, matching and installation



FGV type drawer slide

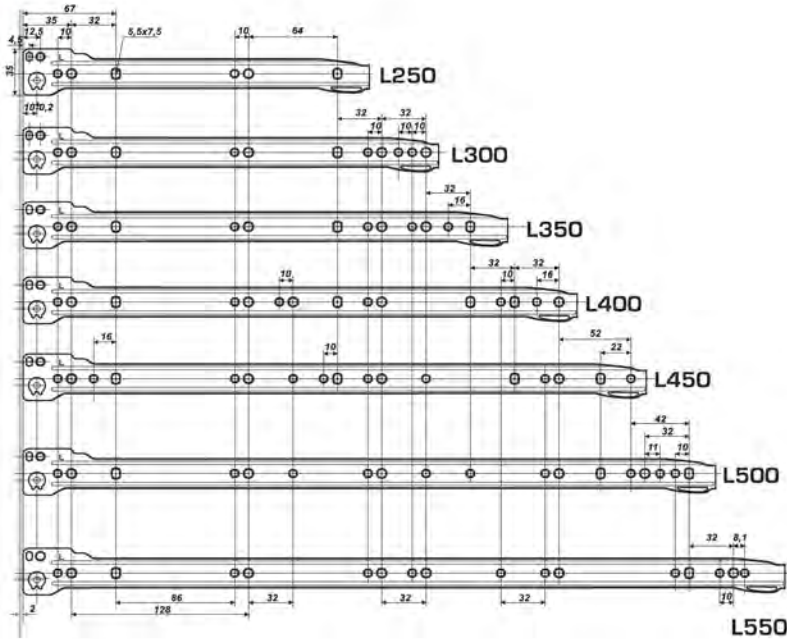
Technical specifications:

- Size: 10-24"
- Thickness: 0.8mm/ 0.9mm/ 1.0mm/ 1.1mm/ 1.2mm
- Color: pure white, milk white, gray, black, brown

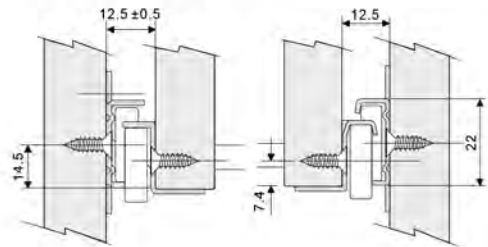


Installation indication

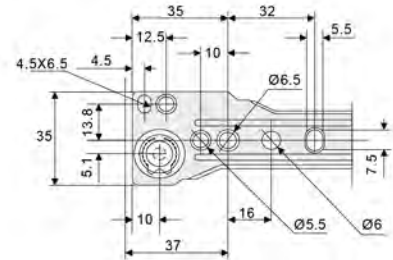
Fastening position for cabinet member



Installation measurement



Drilling pattern for cabinet member



Slide wheel



A: Common wheel (ABS)



B: Common wheel (POM)



D: Silence noise wheel (ABS)



E: Silence noise wheel (HBTE)

DRAWER SLIDE

DS0802

Drawer slide

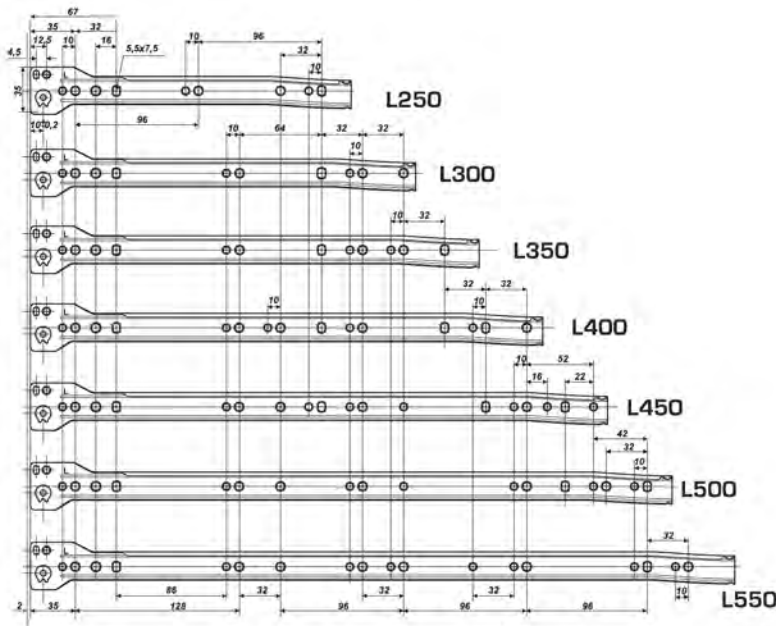
Technical specifications:

- Size: 10-24"
- Thickness: 0.8mm/ 0.9mm/ 1.0mm/ 1.1mm/ 1.2mm
- Color: pure white, milk white, gray, black, brown

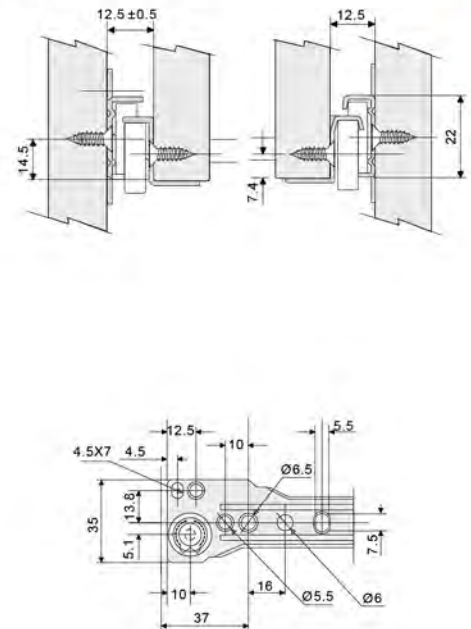


Installation indication

Fastening position for cabinet member



Installation measurement



Slide wheel



A: Common wheel (ABS)



B: Common wheel (POM)



D: Silence noise wheel (ABS)



E: Silence noise wheel (HBTE)

Drawer slide

DS0803**Technical specifications:**

Mini special drawer slide

- Size: 12"-16"
- Thickness: 0.55-0.75mm
- Color: pure white, milk white, gray, black, brown

DS0810**Technical specifications:**

American style slide

- Size: 10-24"
- Color: pure white

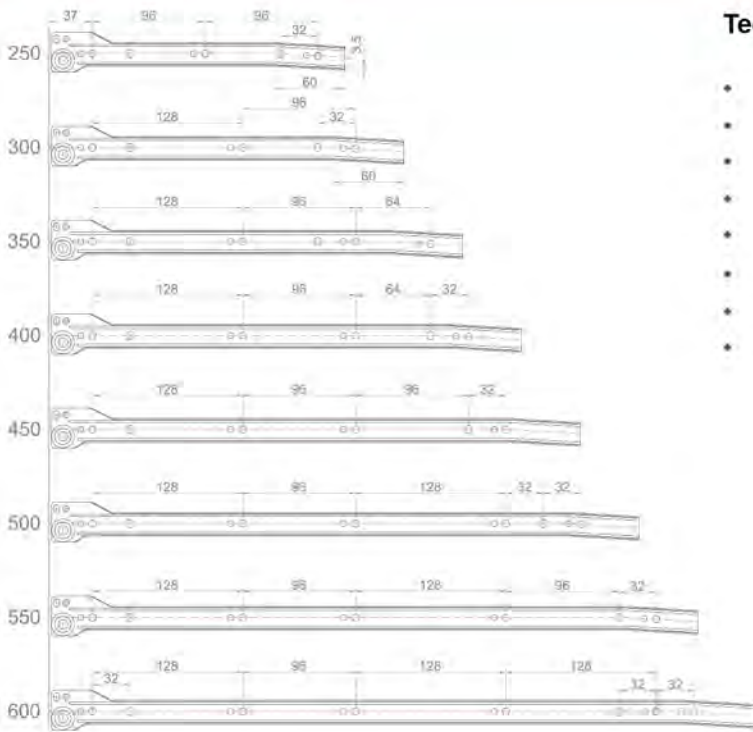
DS0811**Technical specifications:**

American style slide

- Size: 10-24"
- Color: zinc

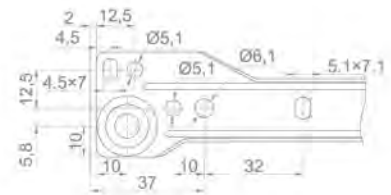
DRAWER SLIDE DS03

American style drawer slides



Technical specifications:

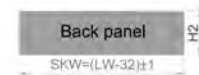
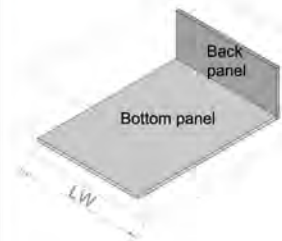
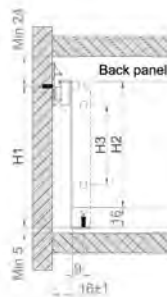
- Panel height: 86mm / 118mm / 150mm / 54mm
- Self-closing feature with 60mm closing range
- Parallel closing action over 20mm
- Optional fitting method by using with dowels
- Up and down height adjustment by 2mm
- Thickness: 1.1mm / 1.2mm or as required
- Color: white, black, brown, grey
- Wheel: white roller



Installation parameter



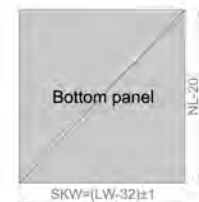
Cabinet space requirements and mounting dimensions



Front panel drilling dimensions



Back panel mounting dimensions



Cutting dimensions of MDF

LW - Cabinet inner width
 SKW - Bottom and back panel width
 NL - Normal length

Size	H (Min)	H1	H2	H3
86 mm	13	82	72	32
118 mm	45	114	104	64
150 mm	77	146	136	96

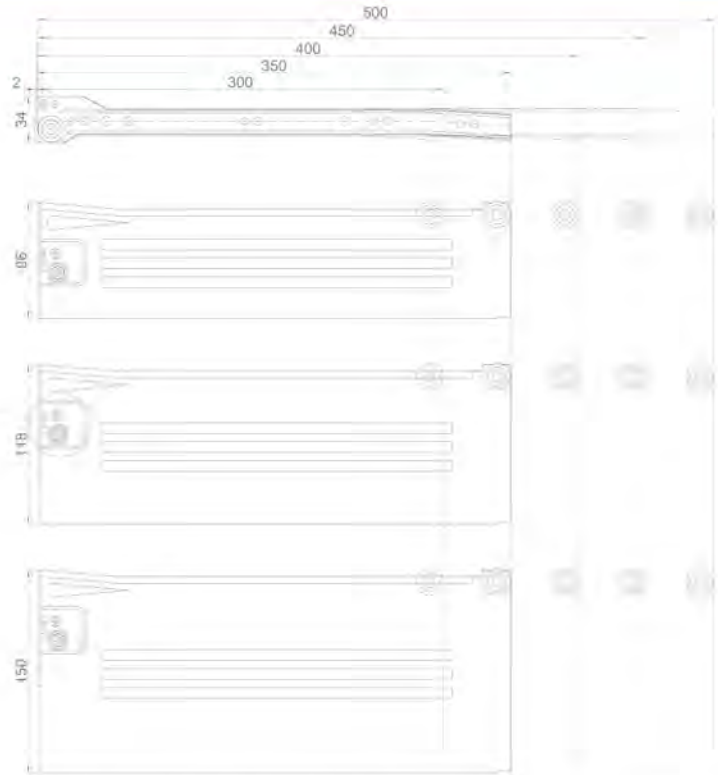
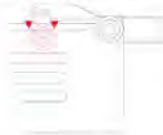
DS03 - American style drawer slides

Mount with a 2 mm shift from cabinet front edge

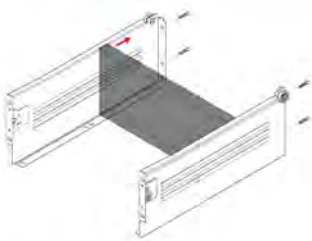


Front panel adjusting elements

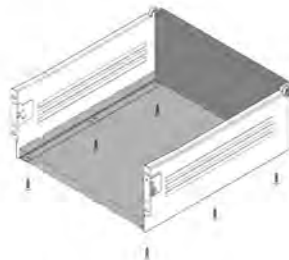
Integral double stop



The diagram of fixing to the cabinet and to the drawer, matching and installation



Back panel assembling



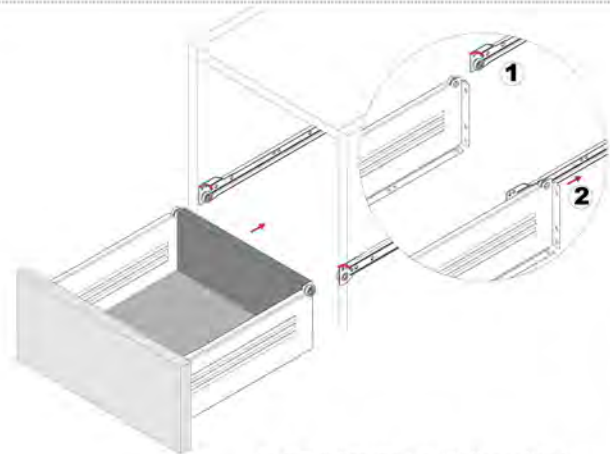
Bottom panel assembling



Front panel installation



Fixing slides to the cabinet



Installing the drawer into the cabinet

